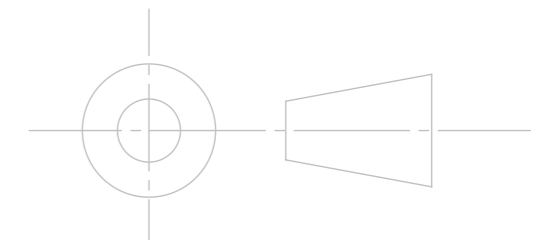
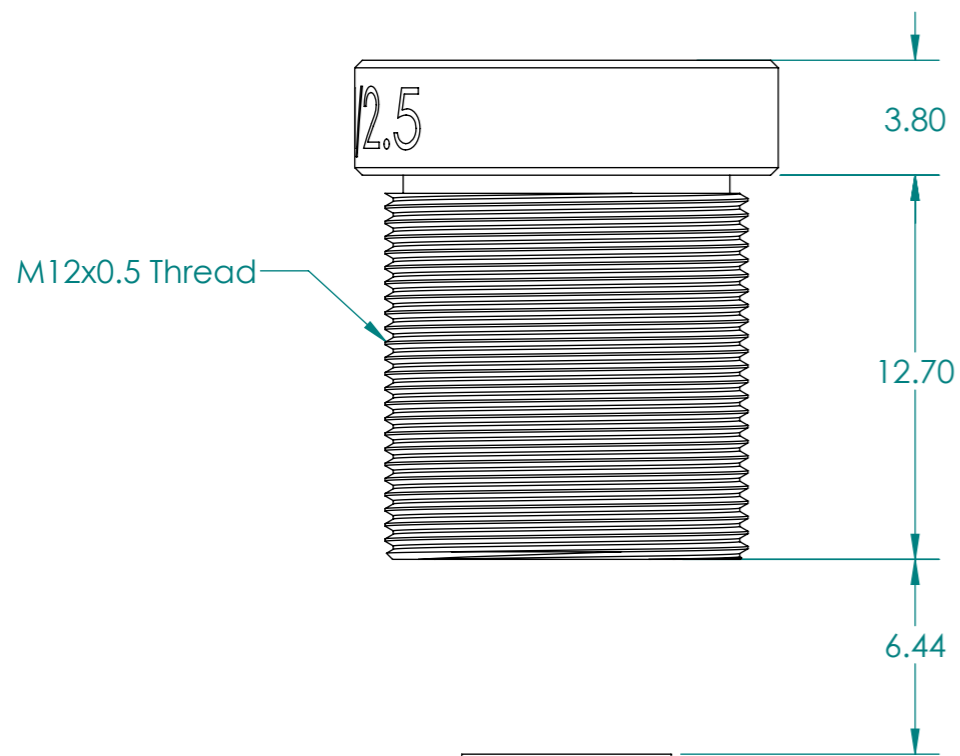
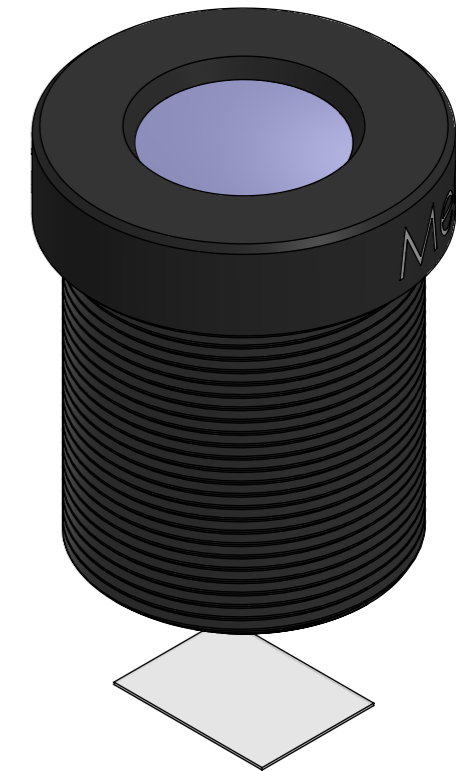


Focal Length	12mm
Aperture	F1.6
Image Sensor Size	1/2.5"
Horizontal Angle of View	28°8'
Mount	M12*0.5
Minimum Object Distance	$\geq 0.2m$
External Dimenstions	$\phi 14(D) * 16.5(L)$
Net Weight	8g



UNLESS OTHERWISE SPECIFIED: DIMENSIONS ARE IN MILLIMETERS SURFACE FINISH: TOLERANCES: LINEAR: 0.2mm ANGULAR: 0.5°		FINISH: BLACK ANODIZED		DEBUR AND BREAK SHARP EDGES		DO NOT SCALE DRAWING		REVISION: 1.00	
						M12 LENSES INC.			
						TITLE: 12mm F1.6 CCTV LENS			
						DWG NO. PT-1216B3MP		A3	
						SCALE:2:1		SHEET 1 OF 1	

	NAME	SIGNATURE	DATE		
DRAWN	THARAKA G		12/30/2019		
CHK'D					
APPV'D					
MFG					
Q.A					
				MATERIAL: ALUMINUM/GLASS	
				WEIGHT: 8g	