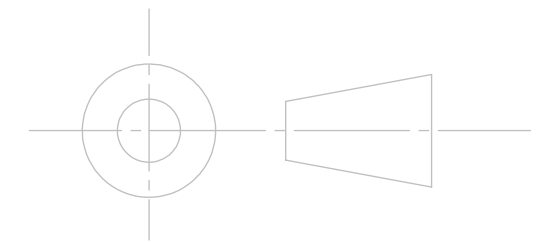
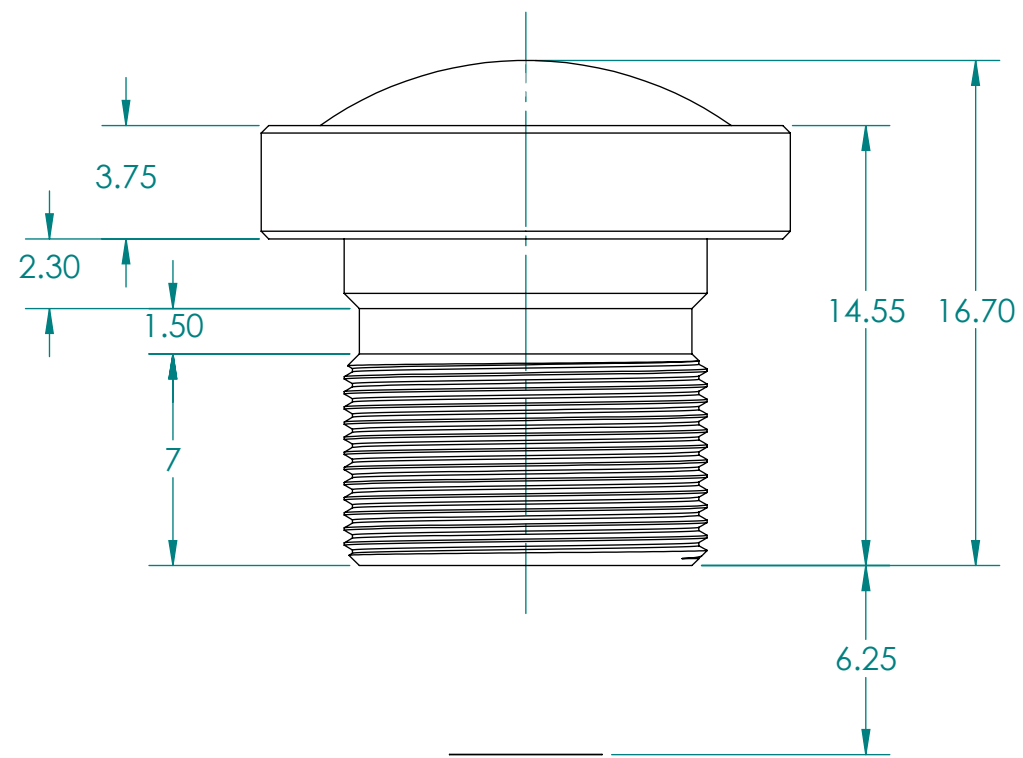
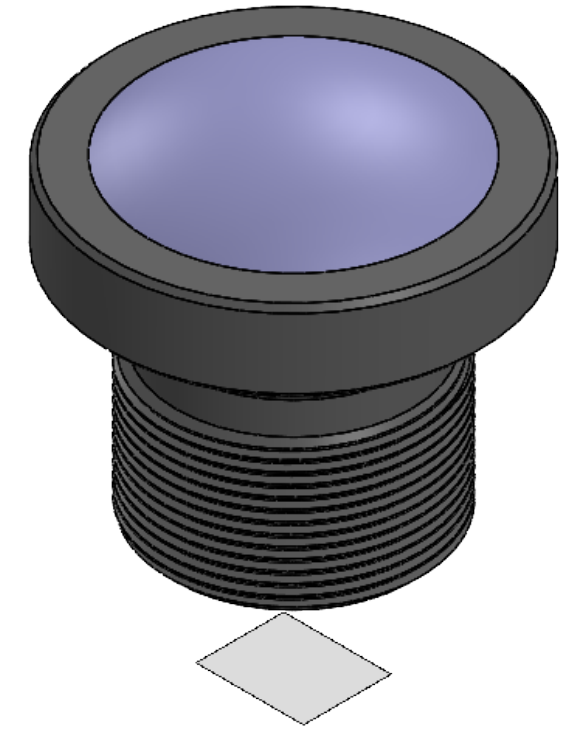


Focal Length	3.1mm
Aperture	F2.5
Resolution	14MP
Sensor Size	1/2.3"
Angle of View (H)	120°
Mount	M12x0.5
Minimum Object Distance	0.2m



UNLESS OTHERWISE SPECIFIED: DIMENSIONS ARE IN MILLIMETERS SURFACE FINISH: TOLERANCES: LINEAR: ANGULAR:				FINISH: BLACK ANODIZED		DEBUR AND BREAK SHARP EDGES		DO NOT SCALE DRAWING		REVISION 1.00	
								M12 LENSES INC.			
								TITLE: 3.1mm, F2.5 CCTV LENS			
DRAWN THARAKA G				SIGNATURE		DATE		MATERIAL: GLASS/ALUMINUM		DWG NO. PT-03125BL-14MP	
CHK'D								WEIGHT:		SCALE:2:1	
APPV'D										SHEET 1 OF 1	
MFG											
Q.A											