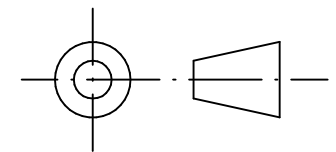
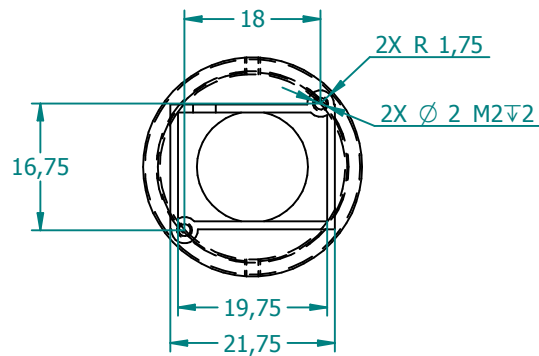
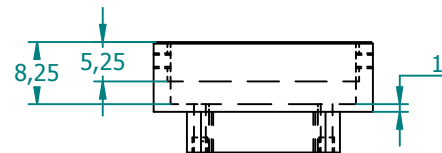
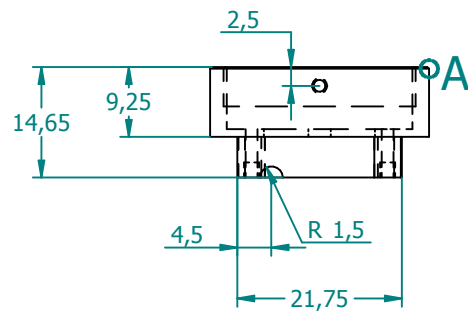
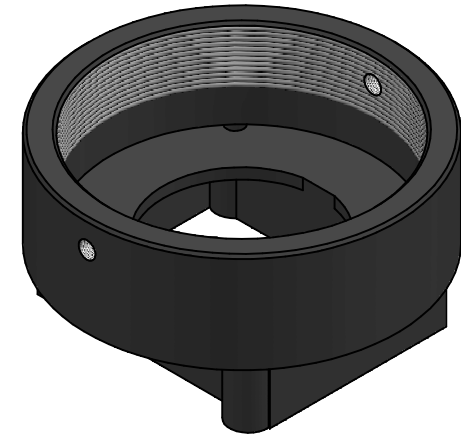
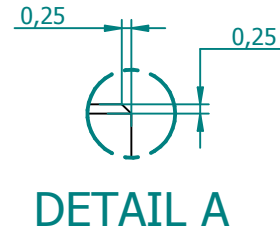
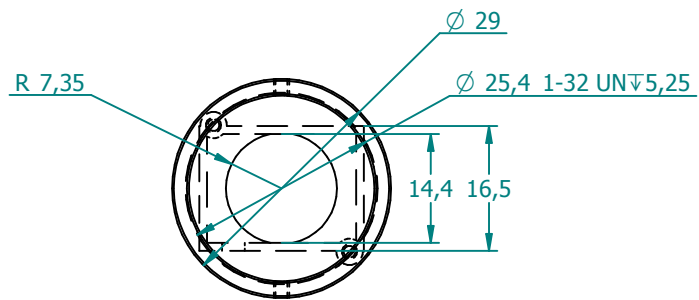



REVISION HISTORY

REV	DESCRIPTION	DATE	APPROVED



	NAME	DATE	 M12 LENSES INC.	
DRAWN	Tharaka	07/01/12	TITLE	
CHECKED			PT-LH014CSM	
ENG APPR			SIZE	DWG NO
MGR APPR			A4	PT-LH-014CSM-DWG-01-1
UNLESS OTHERWISE SPECIFIED DIMENSIONS ARE IN MILLIMETERS ANGLES ±0.5° 2 PL ±0.02 PL ±0.01			REV	1.01
			FILE NAME: PT-LH014CSM.dft	
SCALE:		WEIGHT:	SHEET 1 OF 1	