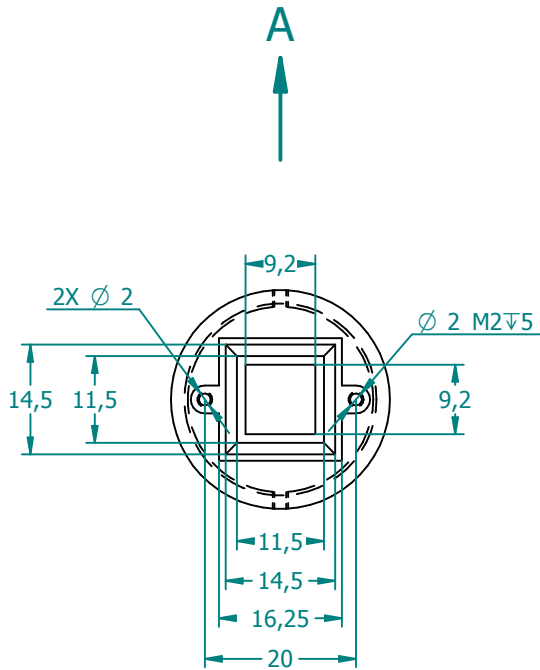
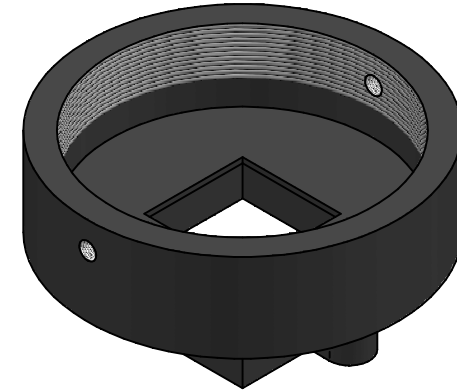
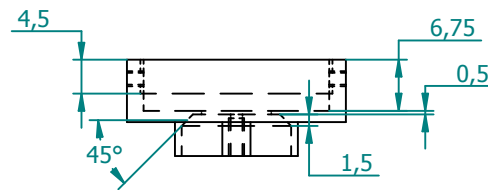
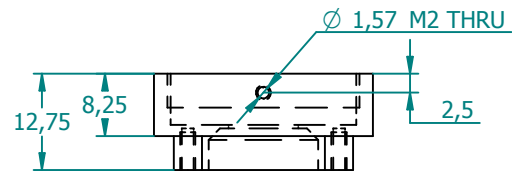
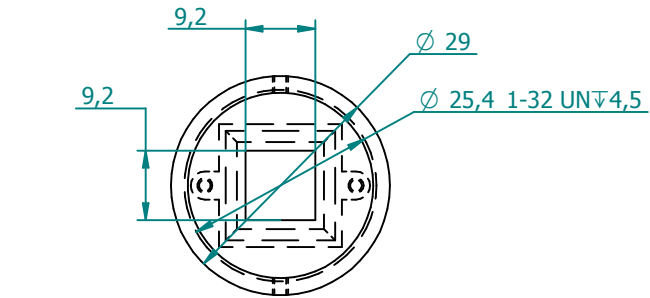
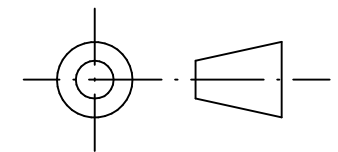


REVISION HISTORY

REV	DESCRIPTION	DATE	APPROVED



VIEW A



NAME	DATE	M12 LENSES INC.		
DRAWN	Tharaka	07/01/12	PT-LH013CSM	
CHECKED				
ENG APPR				
MGR APPR				
UNLESS OTHERWISE SPECIFIED DIMENSIONS ARE IN MILLIMETERS ANGLES ±0.5° 2 PL ±0.02 PL ±0.01			SIZE	REV
			A4	1.00
			DWG NO PT-LH-013CSM-DWG-01-1	
FILE NAME: PT-LH013CSM.dft			SCALE:	WEIGHT:
			SHEET 1 OF 1	