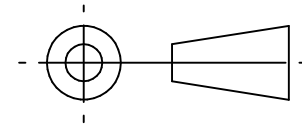
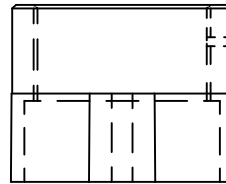
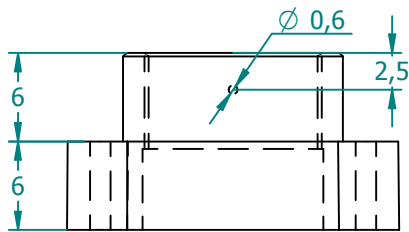
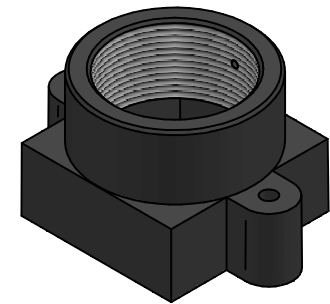
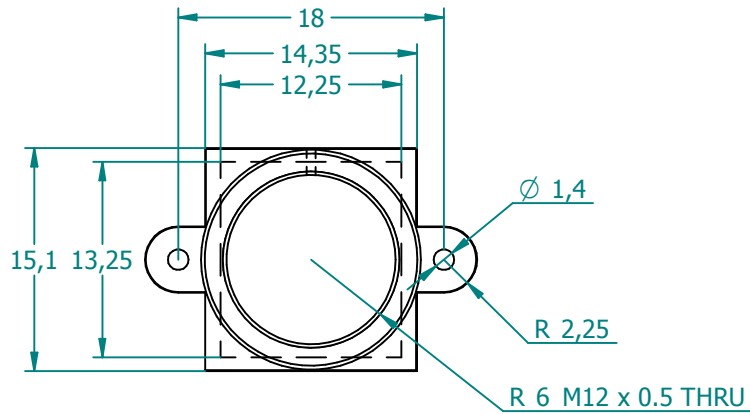



REVISION HISTORY

REV	DESCRIPTION	DATE	APPROVED



	NAME	DATE	 M12 LENSES INC.		
DRAWN	Tharaka	01/21/12			
CHECKED					
ENG APPR					
MGR APPR			TITLE M12 LENS HOLDER		
ALL DIMENSIONS ARE IN MILLIMETERS ANGLES ±0.5° 2 PL ±0.10 3 PL ±0.010			SIZE A4	DWG NO PT-LH008P	REV 1.00
			SHEET 1 OF 1		