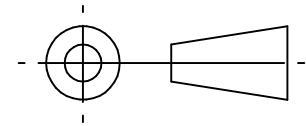
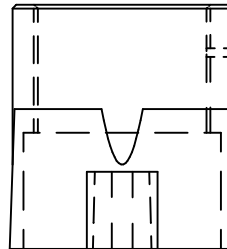
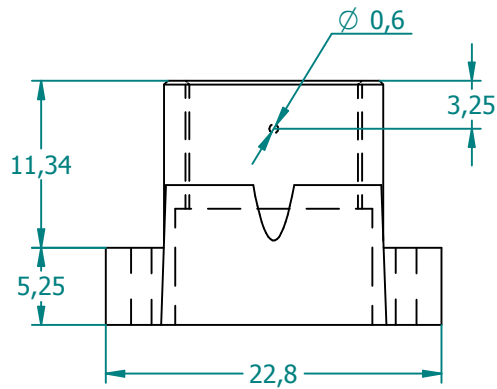
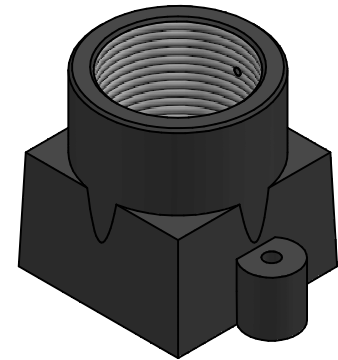
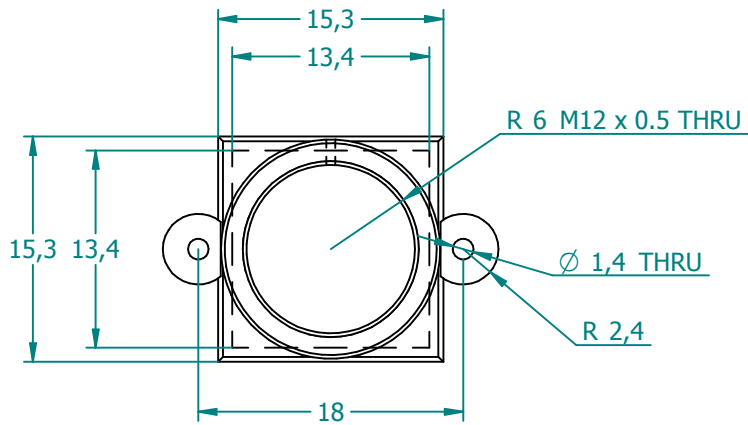



REVISION HISTORY

REV	DESCRIPTION	DATE	APPROVED



	NAME	DATE	 <b>M12 LENSES INC.</b>
DRAWN	Tharaka	01/21/12	
CHECKED			
ENG APPR			
MGR APPR			
ALL DIMENSIONS ARE IN MILLIMETERS ANGLES ±0.5° 2 PL ±0.10 3 PL ±0.010			TITLE <b>M12 LENS HOLDER</b>
SIZE	DWG NO	REV	
A4	PT-LH007P	1.00	
			SHEET 1 OF 1