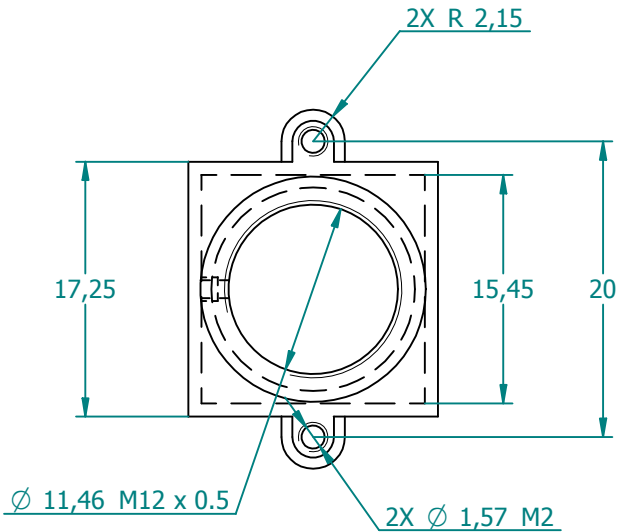
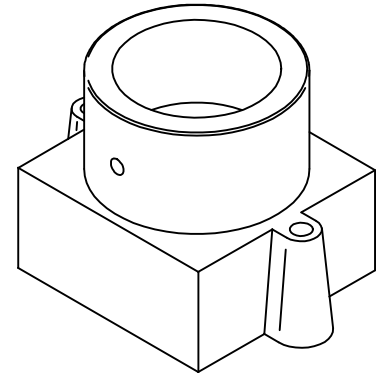
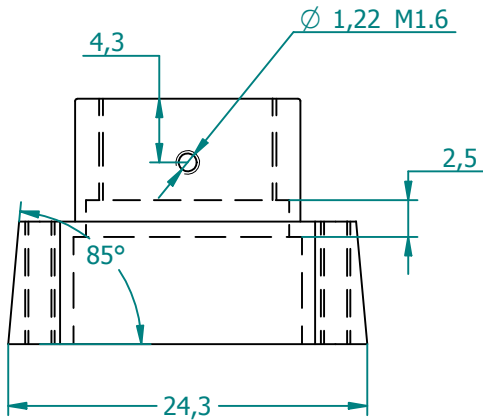
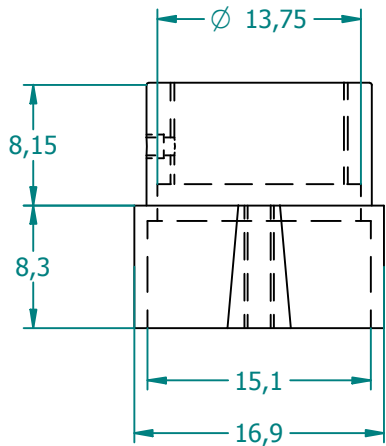



REVISION HISTORY

REV	DESCRIPTION	DATE	APPROVED



	NAME	DATE	 <b>M12 LENSES INC.</b>		
DRAWN	Tharaka G	12/17/10			
CHECKED					
ENG APPR					
MGR APPR			TITLE <b>M12 LENS MOUNT</b>		
UNLESS OTHERWISE SPECIFIED DIMENSIONS ARE IN MILLIMETERS ANGLES ±0.5° 2 PL ±0.10 3 PL ±0.010			SIZE A4	DWG NO PT-LH003	REV 1.10
			FILE NAME: M12LensHolder.dft		
			SCALE:	WEIGHT:	SHEET 1 OF 1