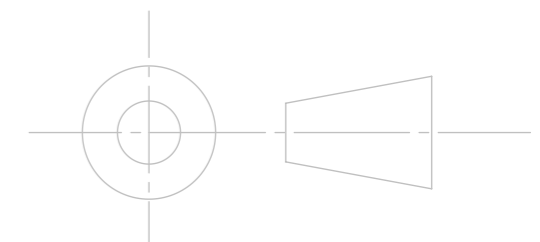
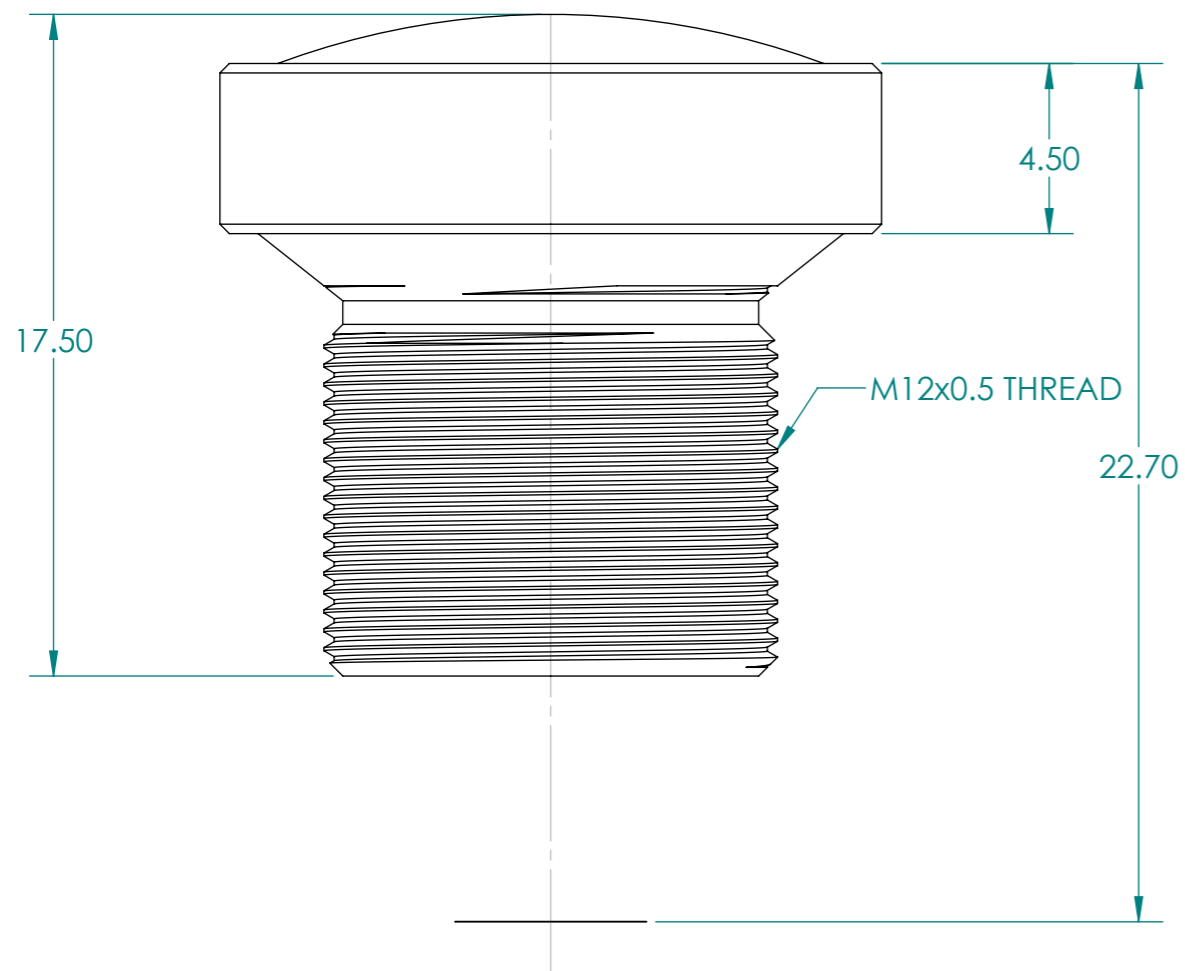
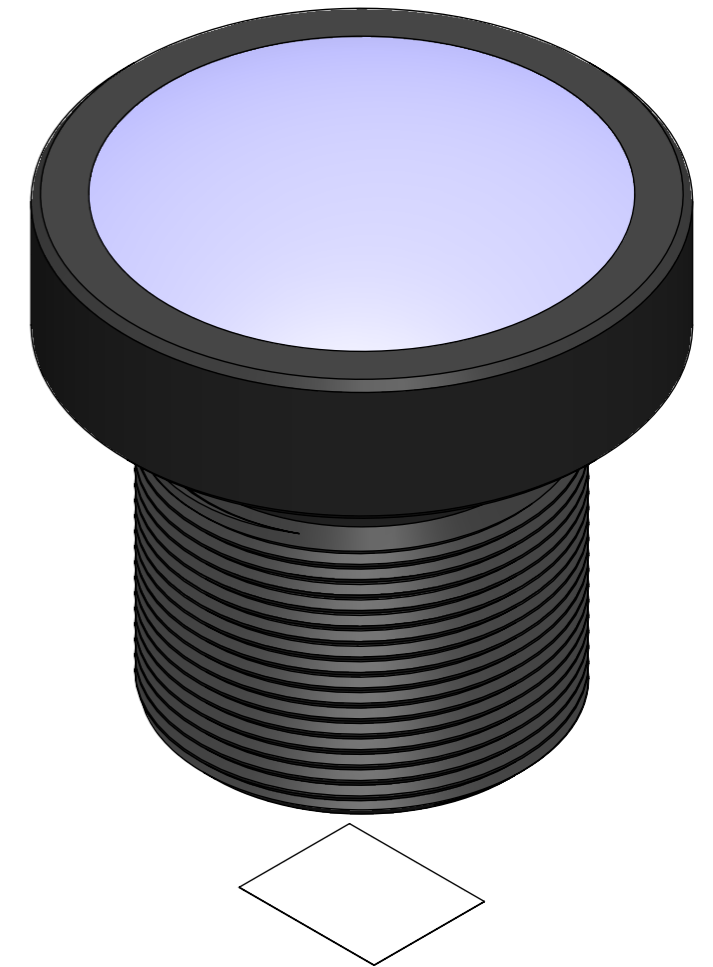


Focal Length	2.1mm
Aperture	F2.0
Resolution	5MP
Sensor Size	1/2.5"
Horizontal Angle of View	160°
Mount	M12x0.5
Minimum Object Distance	0.2m
Weight	8g



UNLESS OTHERWISE SPECIFIED: DIMENSIONS ARE IN MILLIMETERS SURFACE FINISH: TOLERANCES: LINEAR: ANGULAR:				FINISH: <b>BLACK ANODIZED</b>		DEBUR AND BREAK SHARP EDGES		DO NOT SCALE DRAWING		REVISION 1.00		
								<b>M12 LENSES INC.</b>				
								TITLE: <b>2.1mm, F2.0 5MP CCTV LENS</b>				
								MATERIAL: <b>GLASS/ALUMINUM</b>		DWG NO. <b>PT-02120CW-5MP</b>		A3
								WEIGHT:		SCALE:5:1		SHEET 1 OF 1