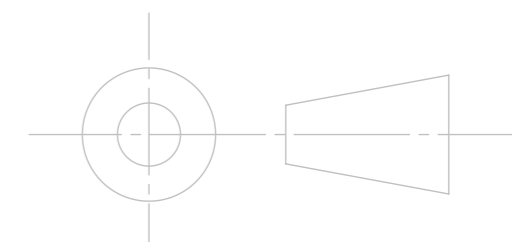
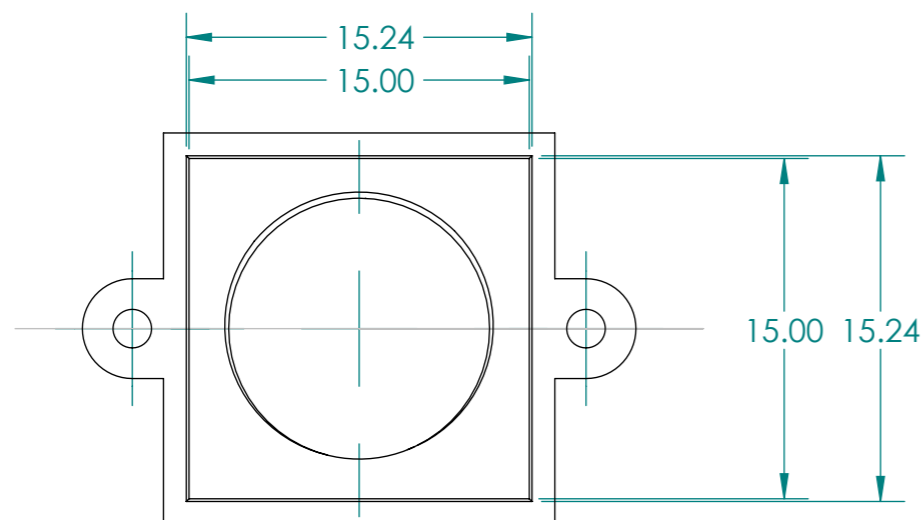
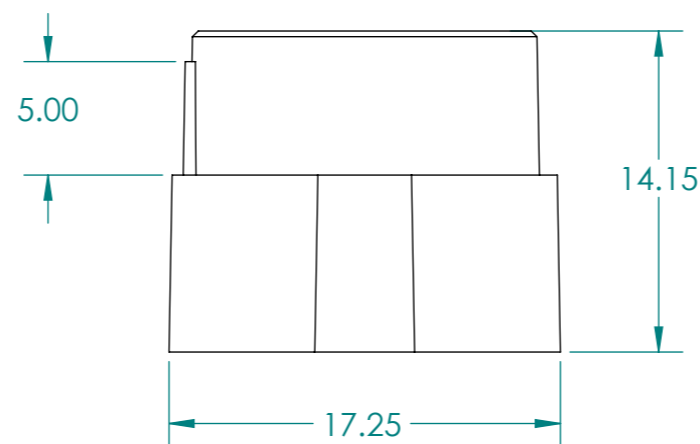
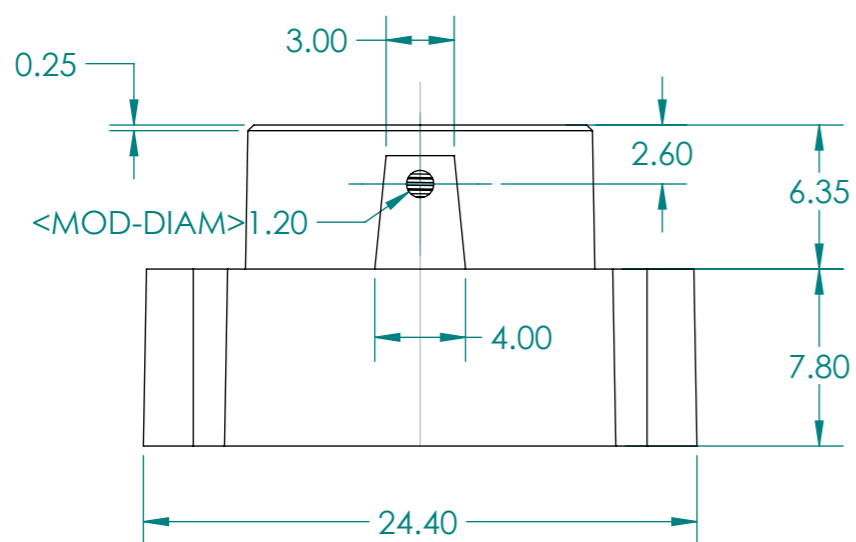
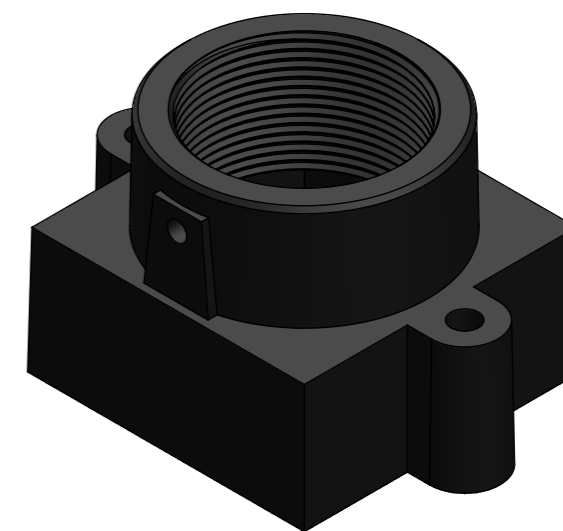


SECTION A-A
SCALE 3 : 1



UNLESS OTHERWISE SPECIFIED: DIMENSIONS ARE IN MILLIMETERS SURFACE FINISH: TOLERANCES: LINEAR: 0.1 mm ANGULAR: 0.5 Deg			DO NOT SCALE DRAWING		DEBUR AND BREAK SHARP EDGES	
NAME	SIGNATURE	DATE	REVISION	1.20	TITLE:	
DRAWN	THARAKA G	03/25/2021	FINISH:		PART NO.:	PT-LH035P
CH'K'D			MATERIAL:	Polyphenylene Sulfide	SCALE:5:1	
APP'V'D			WEIGHT: 2.0g		SHEET 1 OF 1	
MFG						
Q.A						