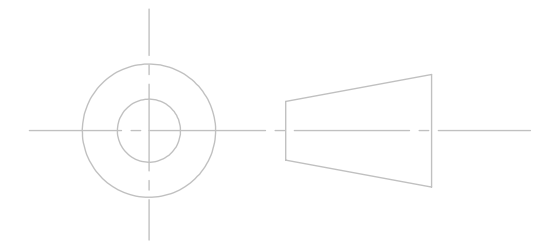
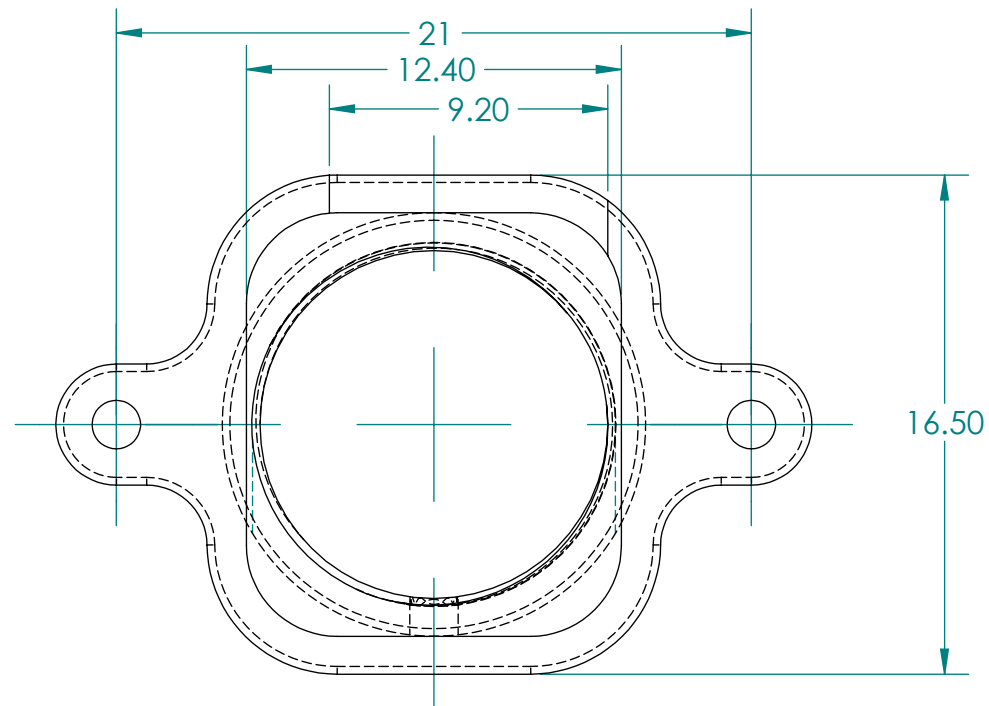


SECTION B-B
SCALE 4 : 1



UNLESS OTHERWISE SPECIFIED: DIMENSIONS ARE IN MILLIMETERS SURFACE FINISH: TOLERANCES: LINEAR: ANGULAR:				FINISH: BLACK ANODIZED		DEBUR AND BREAK SHARP EDGES		DO NOT SCALE DRAWING		REVISION 1.00	
								M12 LENSES INC.			
								TITLE: LENS HOLDER FOR PI CAM 2.0			
DRAWN THARAKA G						MATERIAL: Aluminum T6061		DWG NO. PT-LH032RPM		A3	
CH'K'D						WEIGHT: 2.5g		SCALE: 5:1		SHEET 1 OF 1	
APP'V'D											
MFG											
Q.A											