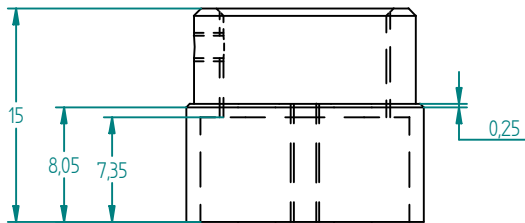
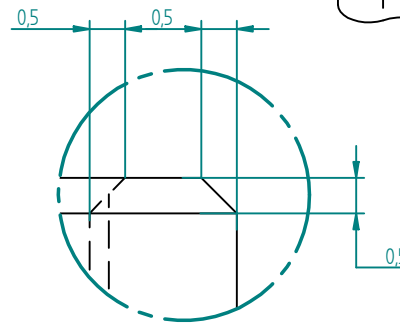
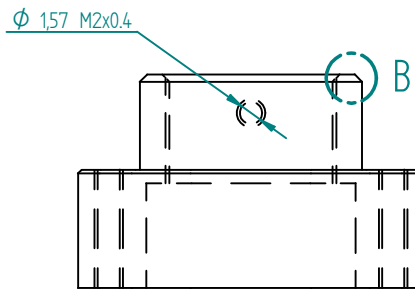


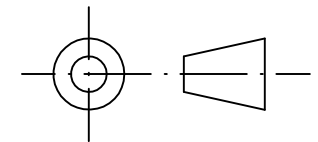
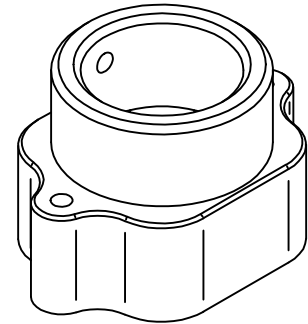
VIEW A



A



DETAIL B



REVISION HISTORY

REV	DESCRIPTION	DATE	APPROVED

MATERIAL: ALUMINUM T-6061
FINISH: BLACK ANODIZED

NAME	DATE	M12 LENSES INC.	
DRAWN Tharaka G	12/25/10	TITLE PT-LH010M	
CHECKED		SIZE A4	DWG NO PT-LH-010M-DWG-01-1
ENG APPR			REV 1.10
MGR APPR		FILE NAME: PT-LH010-US.dft	
UNLESS OTHERWISE SPECIFIED DIMENSIONS ARE IN MILLIMETERS ANGLES ±0.05° 2 PL ±0.02 PL ±0.005		SCALE:	WEIGHT:
			SHEET 1 OF 2