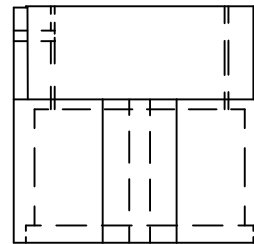
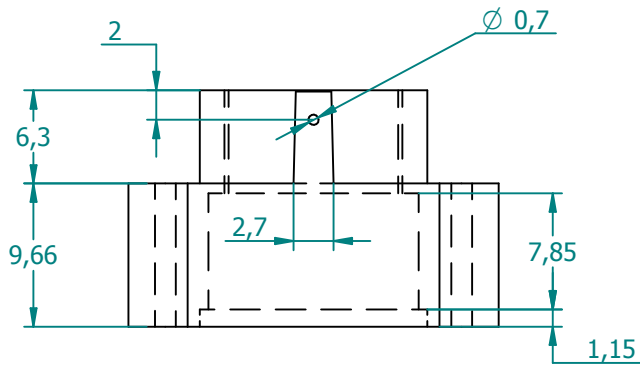
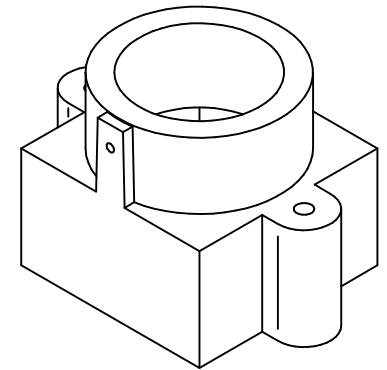
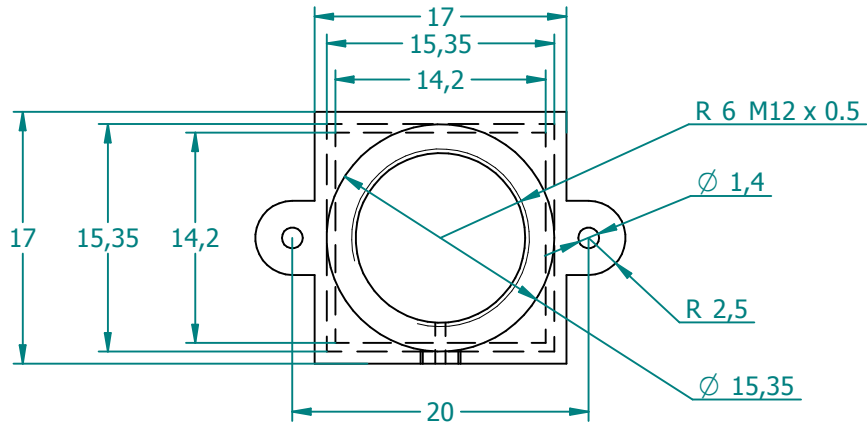


REVISION HISTORY

REV	DESCRIPTION	DATE	APPROVED



	NAME	DATE	M12 LENSES INC.	
DRAWN	Tharaka	03/06/12	TITLE	
CHECKED			M12 LENS HOLDER	
ENG APPR			SIZE	DWG NO
MGR APPR			A4	PT-LH006P
UNLESS OTHERWISE SPECIFIED DIMENSIONS ARE IN MILLIMETERS ANGLES ±0.5° 2 PL ±0.10 3 PL ±0.010			REV	1.10
			FILE NAME: PT-LH006P.dft	
SCALE:		WEIGHT:		SHEET 1 OF 1