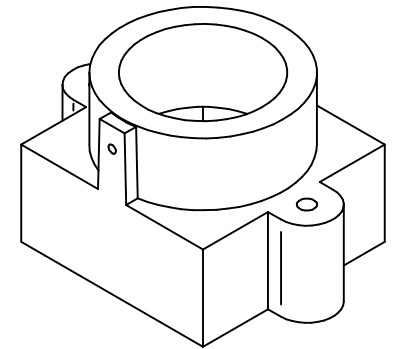



REVISION HISTORY			
REV	DESCRIPTION	DATE	APPROVED



	NAME	DATE	 M12 LENSES INC. TITLE M12 LENS HOLDER		
DRAWN	Tharaka	01/21/12			
CHECKED					
ENG APPR					
MGR APPR			SIZE A4 DWG NO PT-LH001P REV 1.10 FILE NAME: PT-LH001P.dft		
UNLESS OTHERWISE SPECIFIED DIMENSIONS ARE IN MILLIMETERS ANGLES ±0,5° 2 PL ±0.10 3 PL ±0.010			SCALE:	WEIGHT:	SHEET 1 OF 1