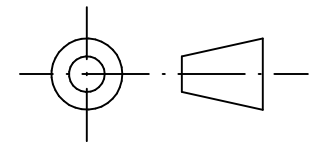
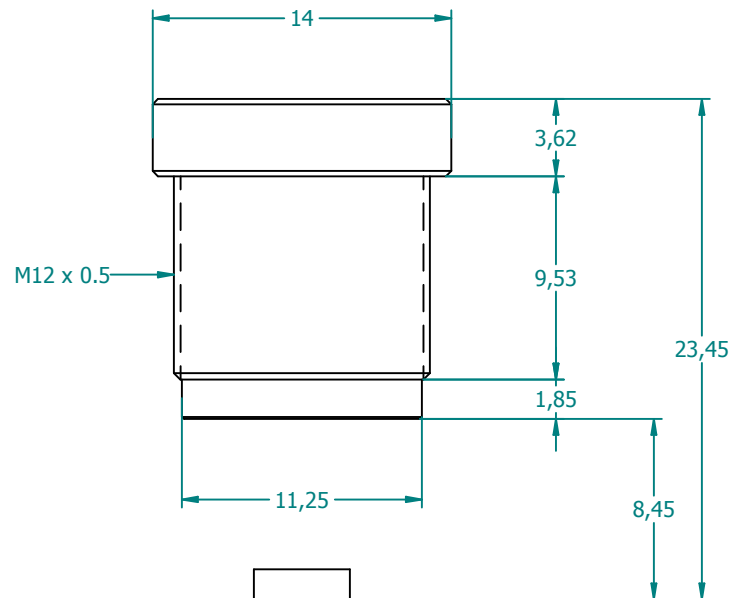
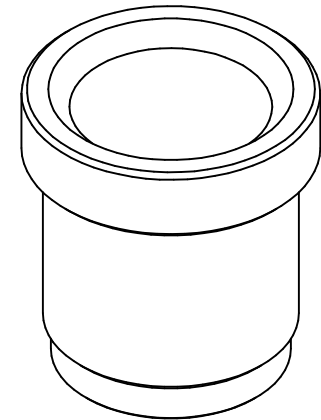
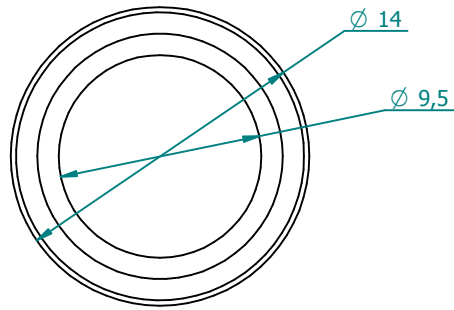



REVISION HISTORY

REV	DESCRIPTION	DATE	APPROVED



	NAME	DATE	 <b>M12 LENSES INC.</b>	
DRAWN	Tharaka	10/22/11		
CHECKED				
ENG APPR				
MGR APPR			TITLE	
UNLESS OTHERWISE SPECIFIED DIMENSIONS ARE IN MILLIMETERS ANGLES ±0.5° 2 PL ±0.02 PL ±0.01			PT-3621	
SIZE	DWG NO	REV		
A4	PT-3621-001-1	1.00		
FILE NAME: PT-3621.dft				
SCALE:	WEIGHT:	SHEET 1 OF 1		