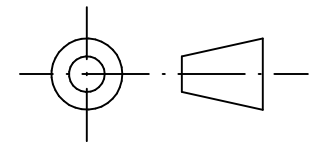
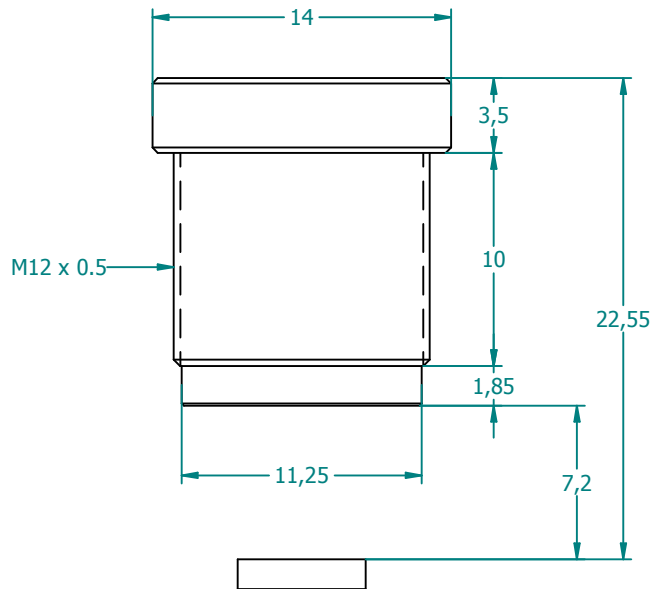
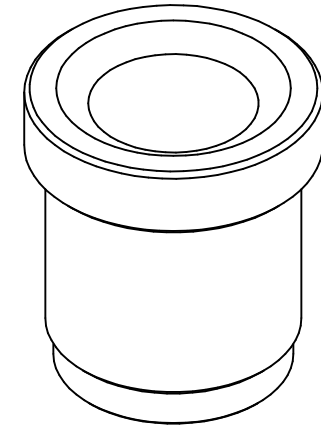
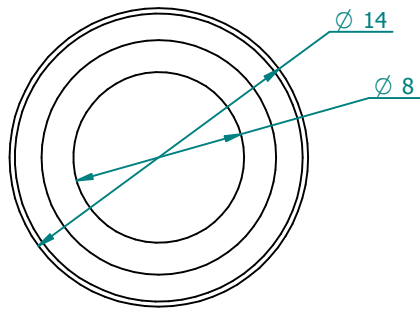



REVISION HISTORY

REV	DESCRIPTION	DATE	APPROVED



	NAME	DATE	 <b>M12 LENSES INC.</b>		
DRAWN	Tharaka	10/22/11			
CHECKED					
ENG APPR					
MGR APPR			TITLE		
			PT-3620		
UNLESS OTHERWISE SPECIFIED DIMENSIONS ARE IN MILLIMETERS ANGLES ±0.5° 2 PL ±0.02 PL ±0.01			SIZE	DWG NO	REV
			A4	PT-3620-001-1	1.00
			FILE NAME: PT-3620.dft		
SCALE:		WEIGHT:	SHEET 1 OF 1		