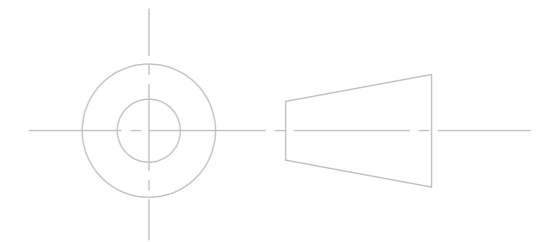
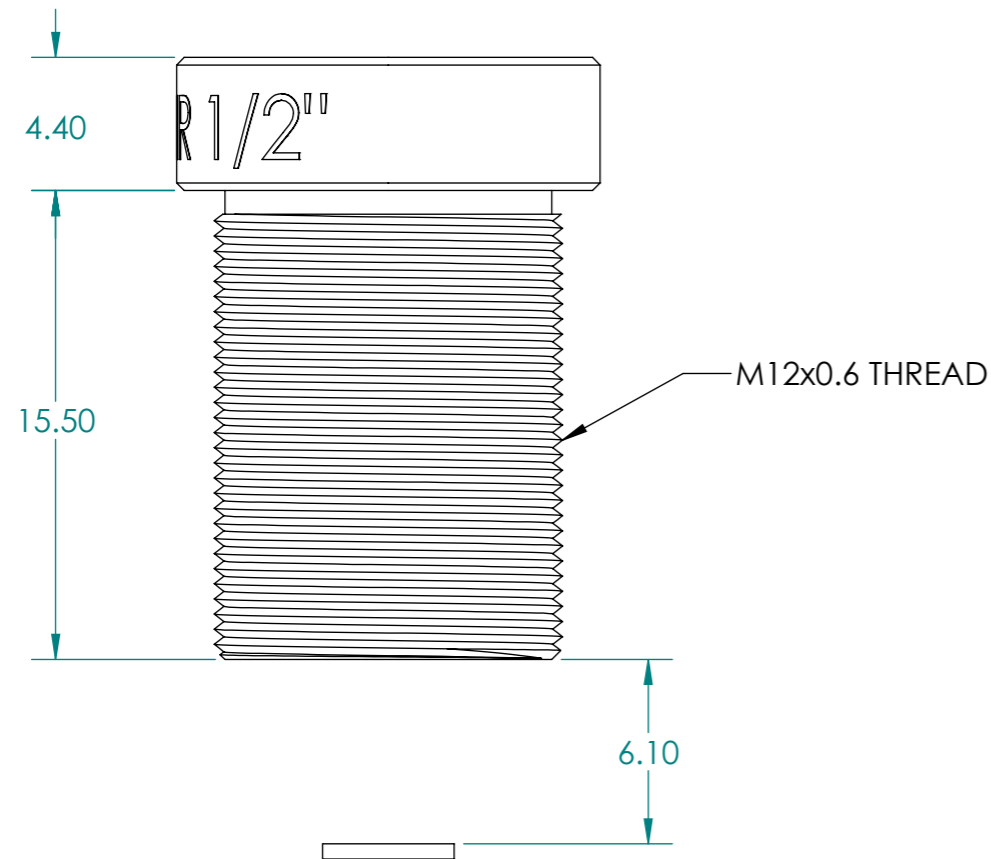


Focal Length	25mm
Aperture	F2.0
Sensor Format	1/2"
Field Of View (DxHxV)	18.8x15x11.28 Deg
Optical Distortion	1.00%
Chief Ray Angle	7.4Deg
Minimum Object Distance	0.3m
Lens Construction	6G
Back Focal Length	11.98mm
IR Correction	Yes
Operating Temperature	-20 to +80C



UNLESS OTHERWISE SPECIFIED: DIMENSIONS ARE IN MILLIMETERS SURFACE FINISH: TOLERANCES: LINEAR: ANGULAR:				FINISH: Black Anodized		DEBUR AND BREAK SHARP EDGES		DO NOT SCALE DRAWING		REVISION	
				DRAWN: THARAKA G				TITLE: 25.0mm F2.4 CCV LENS			
MATERIAL: Glass/Aluminum				DWG NO.: PT-2524MP5Y				SCALE:2:1		SHEET 1 OF 1	
WEIGHT:				A3							