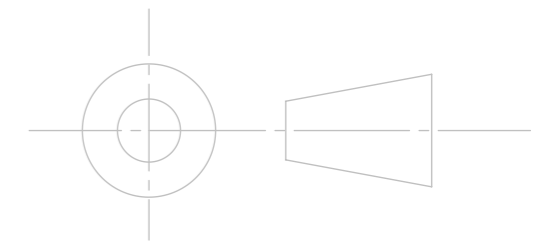
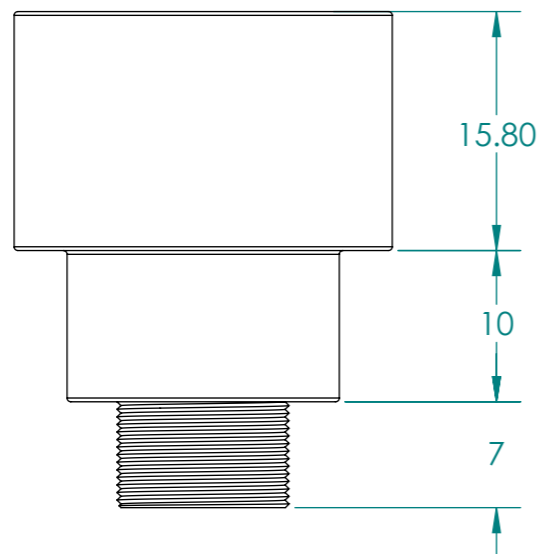
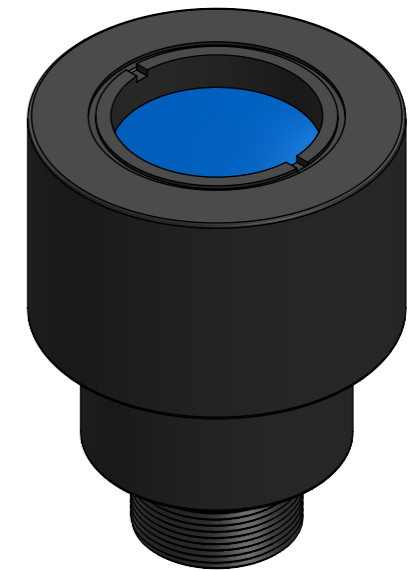


Focal Length	25.0mm
Aperture	F1.6
Resolution	1.3MP
Sensor Size	1/2"
Back Focal Length	12.5mm
Horizontal Angle of View	19.2°
Mount	M12x0.5
Minimum Object Distance	0.2m
Weight	28g
IR Correction	YES



UNLESS OTHERWISE SPECIFIED: DIMENSIONS ARE IN MILLIMETERS SURFACE FINISH: TOLERANCES: LINEAR: 0.2mm ANGULAR: 0.5°		FINISH: <b>BLACK ANODIZED</b>		DEBUR AND BREAK SHARP EDGES		DO NOT SCALE DRAWING		REVISION: 1.00	
						<b>M12 LENSES INC.</b>			
						TITLE: <b>25mm F1.6 CCTV LENS</b>			
						DWG NO. <b>PT-2516BMP</b>		A3	
						SCALE:2:1		SHEET 1 OF 1	

	NAME	SIGNATURE	DATE				
DRAWN	THARAKA G		10/19/2019				
CHK'D							
APPV'D							
MFG							
Q.A							
				MATERIAL: <b>GLASS/ALUMINUM</b>			
				WEIGHT: <b>28g</b>			