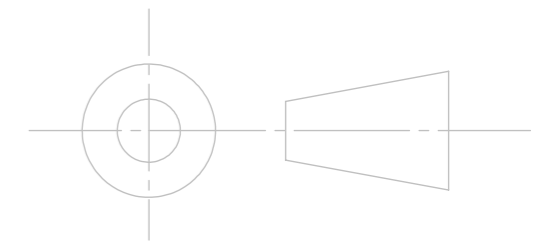
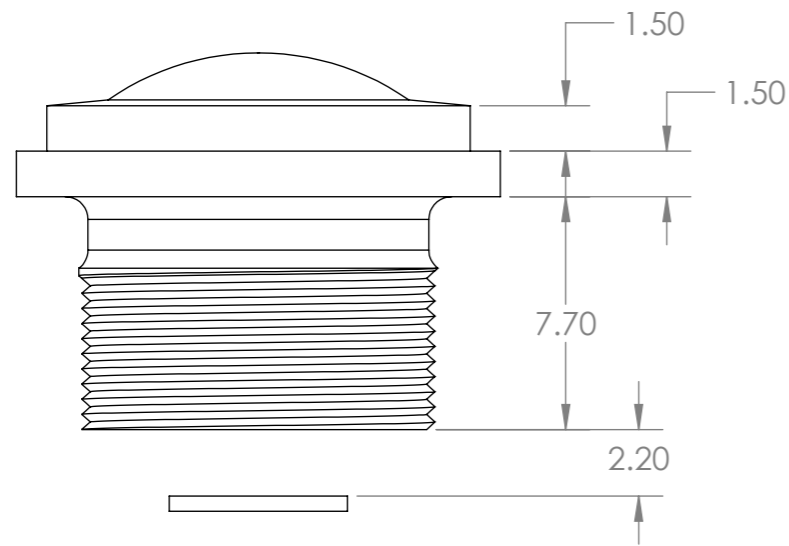
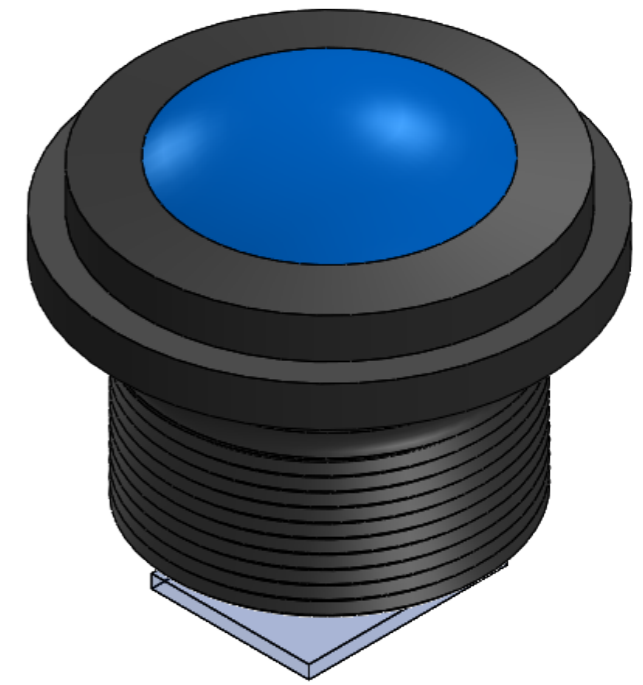


FOCAL LENGTH	1.75mm
APERTURE	2.5
SENSOR SIZE	1/2.7"
WAVELENGTH	400-700nm
BACK FOCAL LENGTH	2.77mm
FLANGE BACK LENGTH	2.20mm
FIELD OF VIEW (DIAG)	200 Deg
OPTICAL DISTORTION	-118%
MOUNT	M12x0.5
ELEMENTS	5G+IR
IR FILTER SPEC	
440-620nm	TAVG > 88%
648±10nm	T = 50%
700-1000nm	TAVG <= 3%
1050nm	T <5%



UNLESS OTHERWISE SPECIFIED: DIMENSIONS ARE IN MILLIMETERS SURFACE FINISH: TOLERANCES: LINEAR: ANGULAR:			DO NOT SCALE DRAWING		DEBUR AND BREAK SHARP EDGES					
DRAWN THARAKA G			SIGNATURE		DATE		REVISION 1.00		TITLE: 1.75mm, F2.5 FISHEYE LENS	
CHK'D			APPV'D		MFG		Q.A		FINISH:	
MATERIAL:			PART NO. PT-017525XFL		SCALE:4:1		SHEET 1 OF 1		A3	
WEIGHT:										