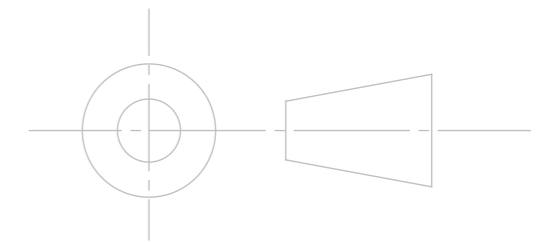
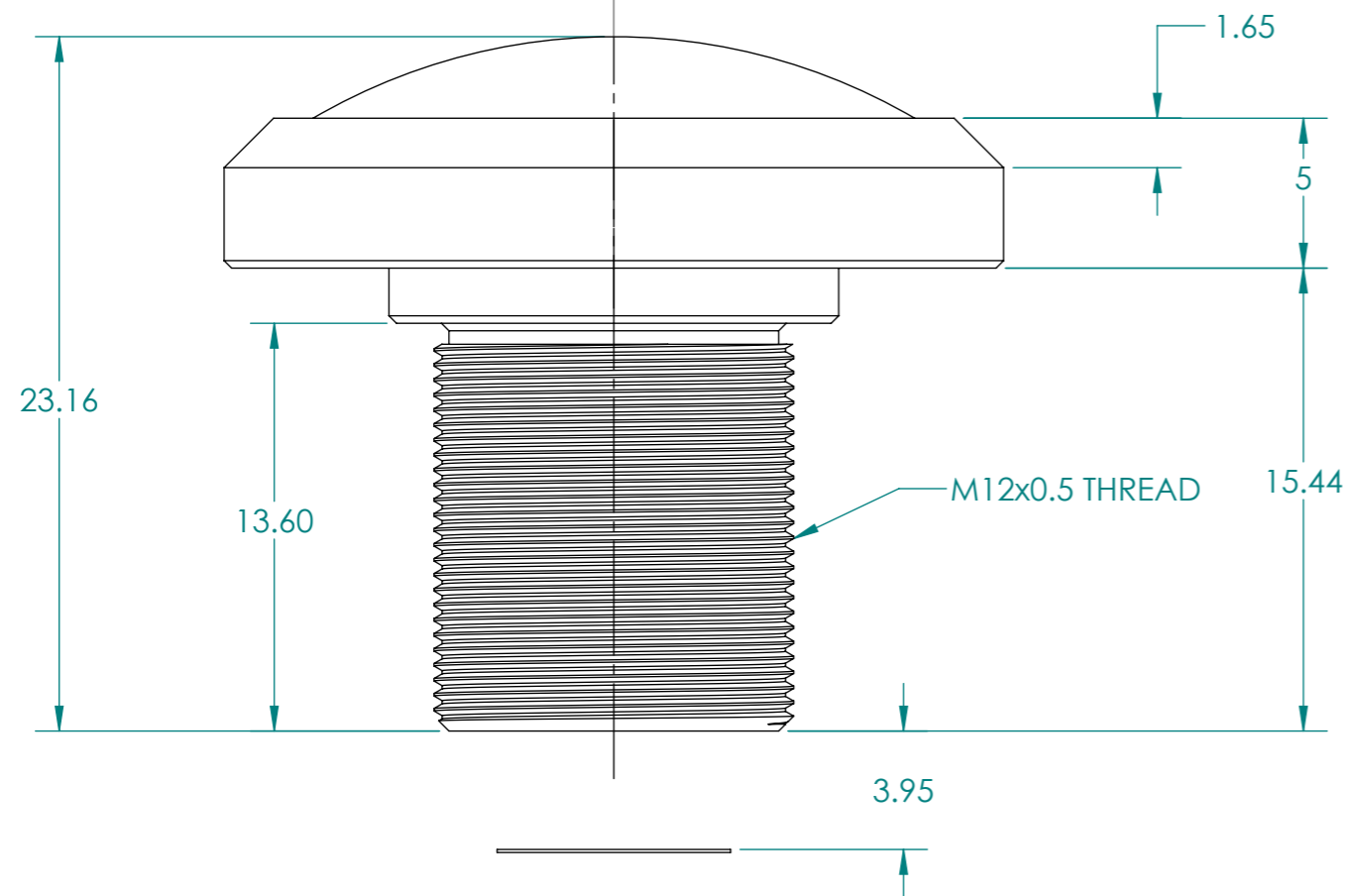
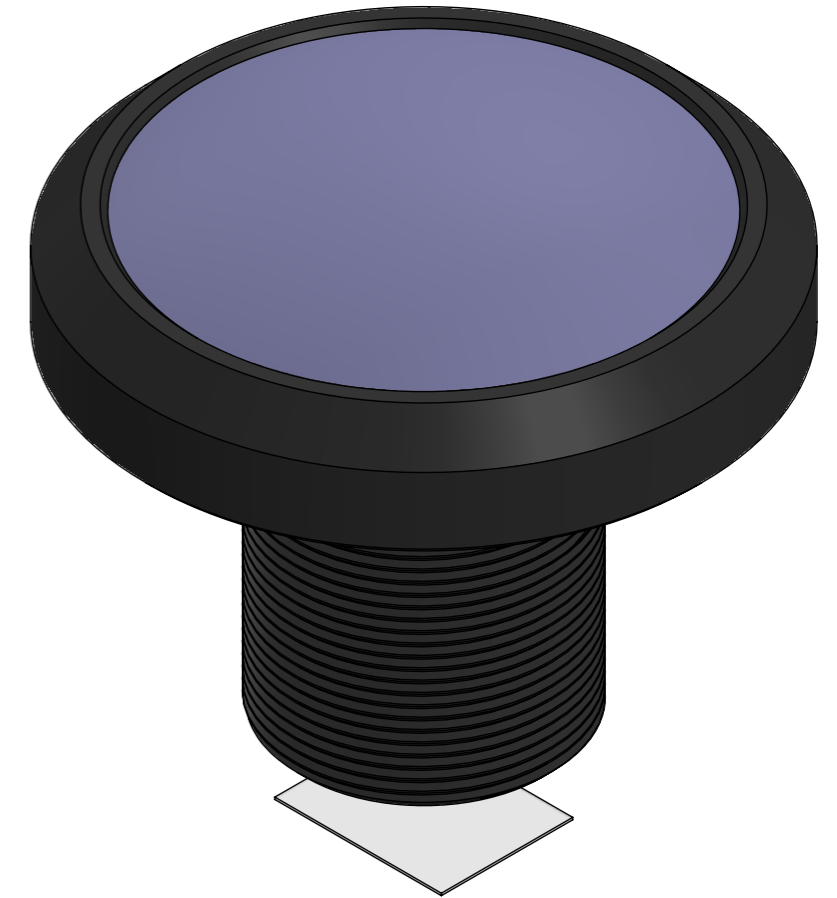


Focal Length	1.55mm
Aperture	F2.0
Resolution	12MP
Sensor Size	1/2.3"
Back Focal Length	4.63mm
Horizontal Angle of View	195°
Mount	M12x0.5
Weight	8g
Minimum Object Distance	0.15m
Operating Temperature	-40°C ~ 105°C
IR Correction	YES



UNLESS OTHERWISE SPECIFIED: DIMENSIONS ARE IN MILLIMETERS SURFACE FINISH: TOLERANCES: LINEAR: 0.2mm ANGULAR: 0.5°		FINISH: BLACK ANODIZED	DEBUR AND BREAK SHARP EDGES	DO NOT SCALE DRAWING	REVISION: 1.00
				M12 LENSES INC.	
				TITLE: 1.55mm F2.0 12MP CCTV LENS	
				DWG NO.:	PT-015520FYL-12MP
				MATERIAL: GLASS/ALUMINUM	A3
				WEIGHT: 8g	
				SCALE:2:1	SHEET 1 OF 1