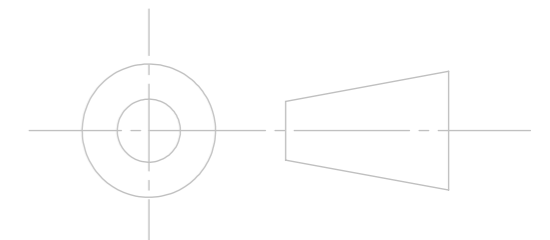
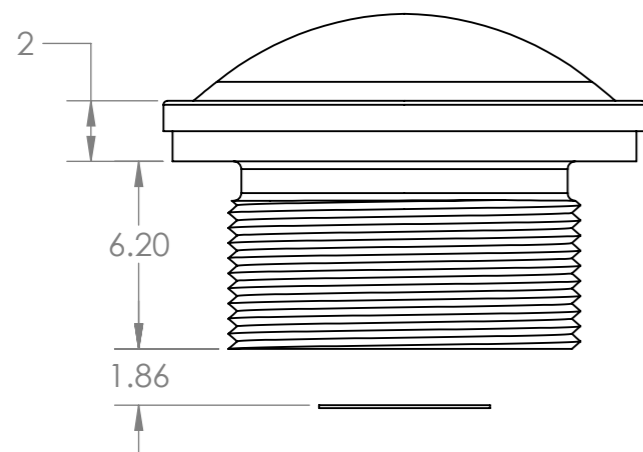
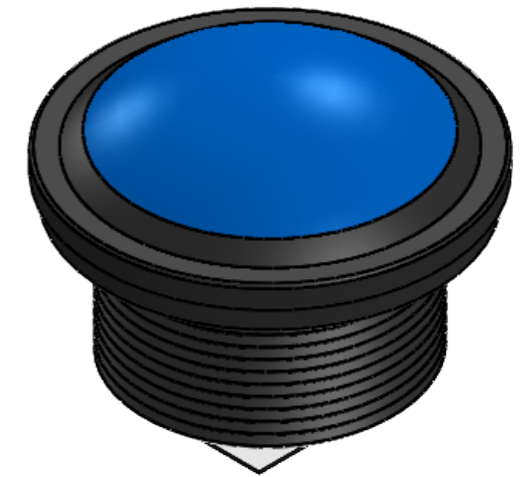


FOCAL LENGTH	1.2mm
APERTURE	2.4
SENSOR SIZE	1/3"
WAVELENGTH	400-700nm
BACK FOCAL LENGTH	2.51mm
FLANGE BACK LENGTH	1.98mm
FIELD OF VIEW (D/H)	190/170Deg
OPTICAL DISTORTION	-45%
MOUNT	M12x0.5
ELEMENTS	2G2P+IR
IR FILTER SPEC	
440-620nm	TAVG > 88%
648±10nm	T = 50%
850±10nm	T = 50%
1050nm	T < 5%



UNLESS OTHERWISE SPECIFIED: DIMENSIONS ARE IN MILLIMETERS SURFACE FINISH: TOLERANCES: LINEAR: ANGULAR:			DO NOT SCALE DRAWING		DEBUR AND BREAK SHARP EDGES		 <b>M12 LENSES INC.</b>	
DRAWN THARAKA G			SIGNATURE		DATE		<b>REVISION 1.00</b> TITLE: <b>1.2mm, F2.4 FISHEYE CCTV LENS</b>	
CHK'D			APPV'D		MFG		Q.A.	
MATERIAL:			PART NO. <b>PT-01224XFL</b>		SCALE:4:1		A3	
WEIGHT:			SHEET 1 OF 1					